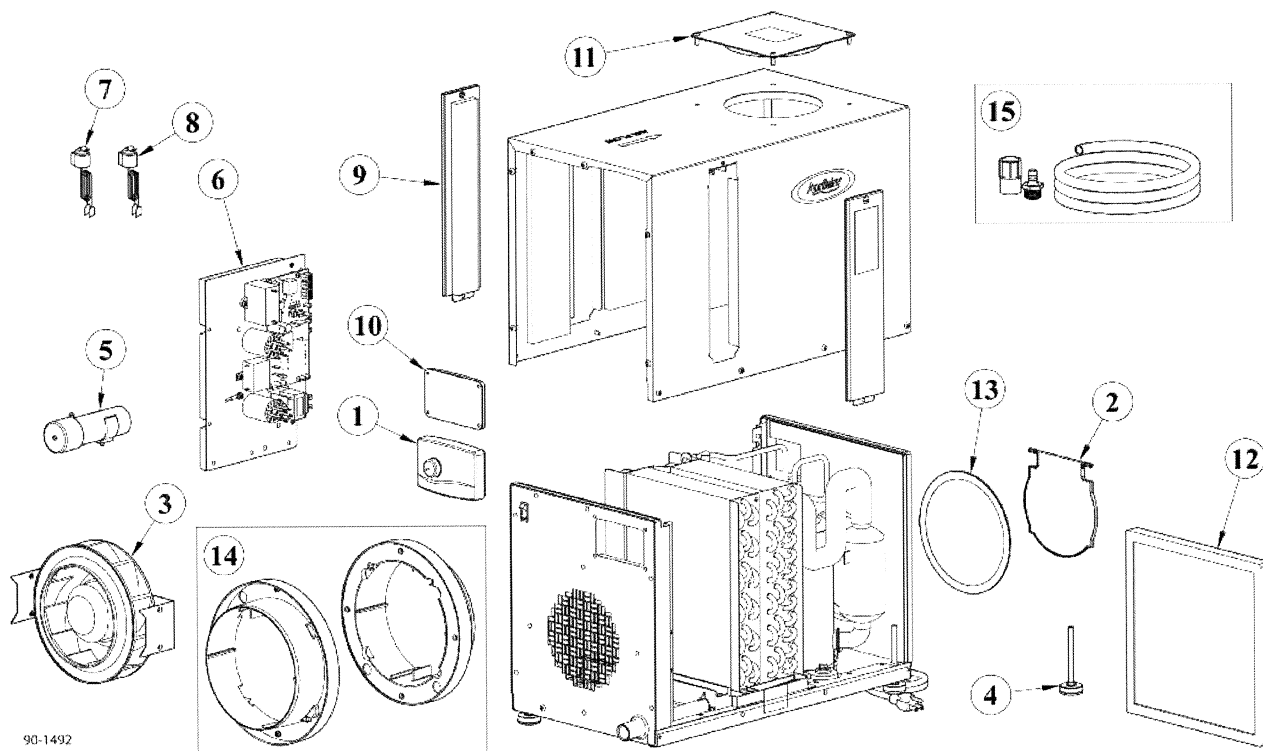


## Model 1730A with R410A



90-1492

NO.	PART NAME	QTY/CTN	PART NO.
1	Dehumidistat Control Assembly	1	4917
2	Backflow Damper	1	4918
3	Impeller with Bracket	1	4919
4	Leveling Foot	1	4920
5	55 MF Capacitor for Compressor	1	4922
6	Control PCB Assembly	1	4923
7	High Temperature Cutout Switch	1	4924
8	Low Temperature Cutout Switch	1	4925
9	Filter Access Door Assembly	1	4926
10	Dehumidistat Hole Cover	1	4927
11	Outlet Cover Plate	1	4928
12	Air Filter	1	4904
13	Inlet/Outlet Screen	1	4930
14	Duct Collars	1	4751
15	Condensate Drain Hose Assembly	1	4863
	Zoning Kit (2-N/O 8" Damper, 2-N/C 8" Damper and Transformer)	1	4522
	Low Profile Condensate Pump (Condensate pump with 20' condensate hose)	1	4856
	Living Space Duct Kit (25' of 8" insulated flex duct with 2 quick install grilles)	1	4857
	Auxiliary drain pan	1	4911