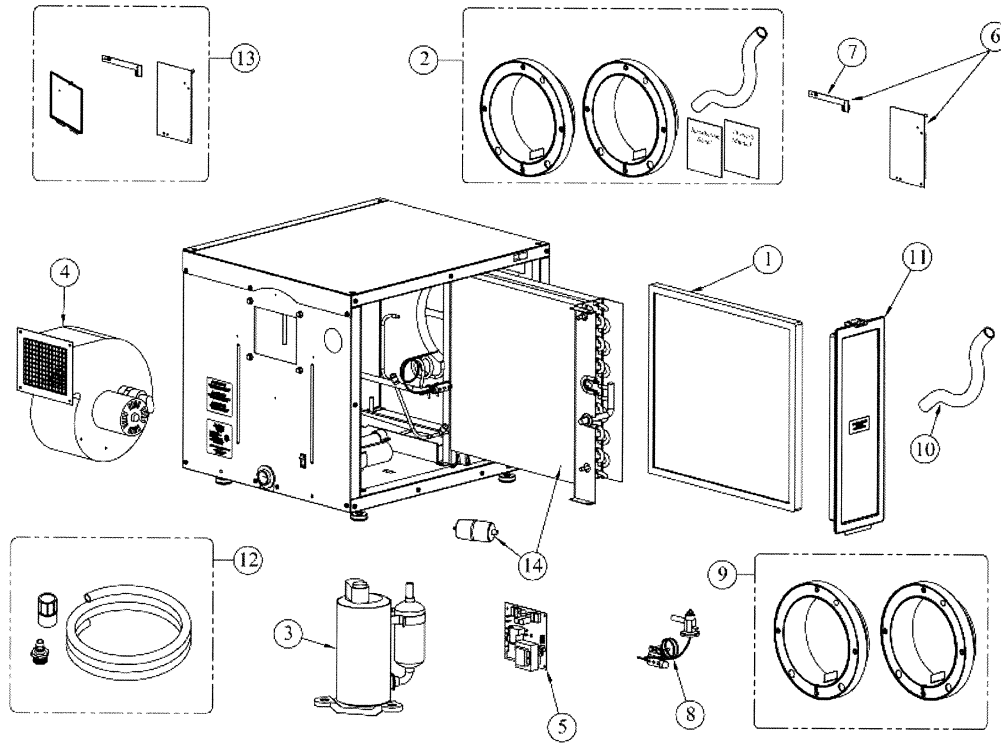


DEHUMIDIFIERS DEALER PARTS LIST

Model 1710A/1750A/1770A with R410A



90-1365

NO.	PART NAME	QTY/CTN	PART NO.
1	Filter	1	4510
2	Drain Trap/Collars/Manual	1	4843
3	Compressor Assembly, 1710A/1750A (Includes Filter Dryer and Run Capacitor)	1	4862
3	Compressor Assembly, 1770A (Includes Filter Dryer and Run Capacitor)	1	4900
4	Blower/Motor Assembly, 1710A/1750A	1	4515
4	Blower/Motor Assembly, 1770A	1	4646
5	Power Supply Board	1	4517
6	Control Board Kit (Includes Control Board and Sensor Board)	1	4518
7	Sensor Board	1	4752
8	Thermostatic Expansion Valve, 1710A/1750A	1	4873
8	Thermostatic Expansion Valve, 1770A	1	4902
9	Duct Collars	2	4751
10	Drain Trap	1	4842
11	Filter Door	1	4861
12	Condensate Drain Hose Assembly	1	4863
13	LED Control Board Kit (includes control board, sensor board and LED control door)	1	4864
14	Coil Block Assembly with Filter Dryer 1710A/1750A	1	4898
14	Coil Block Assembly with Filter Dryer 1770A	1	4899
OTHER PARTS			
	Living Space Control	1	70
	Zoning Kit (2-N/O 8" Damper, 2-N/C 8" Damper and Transformer)	1	4522
	Distributor and nozzle, 1710A/1750A	1	4903
	Low Profile Condensate Pump (Condensate pump with 20' condensate hose)	1	4856
	Living Space Duct Kit (25' of 8" insulated flex duct with 2 quick install grilles)	1	4857